



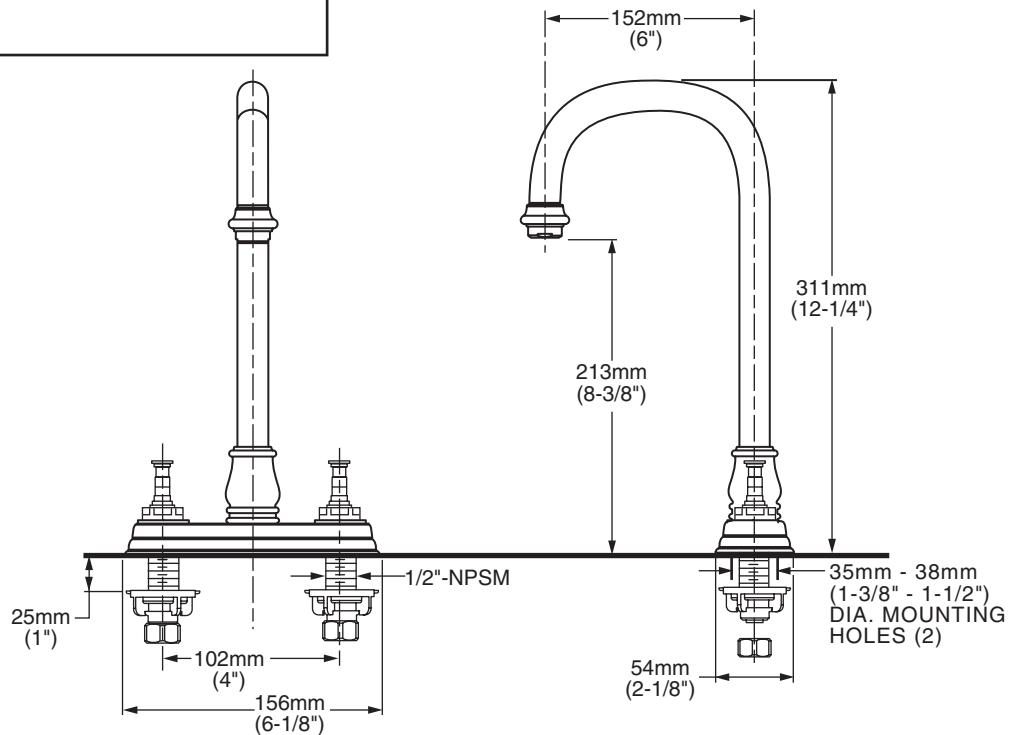
2770.712 Shown

MODEL NUMBER:

☐ **2770.712 Centerset Bar Faucet**
Porcelain lever handles.



☐ **2770.732 Centerset Bar Faucet**
Metal lever handles.



GENERAL DESCRIPTION:

Durable brass construction. 1/4 turn washerless ceramic disc valve cartridges - reversible for use with either lever or cross handles. One-half inch male inlet shanks with brass coupling nuts. Brass 22mm (7/8") diameter swivel spout. Brass escutcheon plate (escutcheon size 6-1/8L x 2-1/8D). 2.2 gpm/8.3 L/min. maximum flow rate.

PRODUCT FEATURES:

Brass Construction & Cast Brass Waterway: Durable - Excellent in high use applications. Ideal for prolonged contact with water.

Ceramic Disc Valve Cartridges: Assures a lifetime of drip-free performance.

Larger Spout: Increased spout height, reach and diameter.

Lead Free: Faucet contains $\leq 0.25\%$ total lead content by weighted average.

Choice of finishes: Available in a wide range of durable finishes.

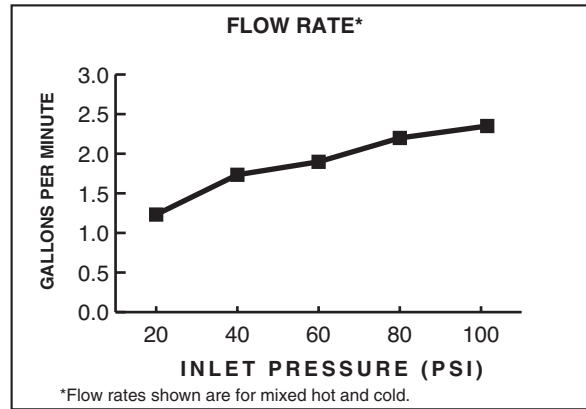
SUGGESTED SPECIFICATION:

Two handle centerset bar sink faucet shall feature brass construction with all brass inlet shanks and coupling nuts. Shall also feature 1/4 turn washerless ceramic disc valve cartridges that are reversible for use with cross or lever handles. Fitting shall be American Standard Model # 2770.____.____.

CODES AND STANDARDS

These products meet or exceed the following codes and standards:

- ASME A112.18.1**
- CSA B 125**
- NSF 61/Section 9 & Annex G**



Product Number	Description	Finish Options		
		Polished Chrome	PVD Polished Brass	PVD Satin Nickel
		002	099	295
2770.712	Centerset bar faucet. Porcelain lever handles.			
2770.732	Centerset bar faucet. Metal lever handles.			

Meets the American Disabilities Act Guidelines and **ANSI A117.1** Requirements for the physically challenged.